

CERTIFICATE OF LOCATION OF GOVERNMENT CORNER

Northeast Corner of Section **4** , Township **108** , Range **41** 5th P.M.

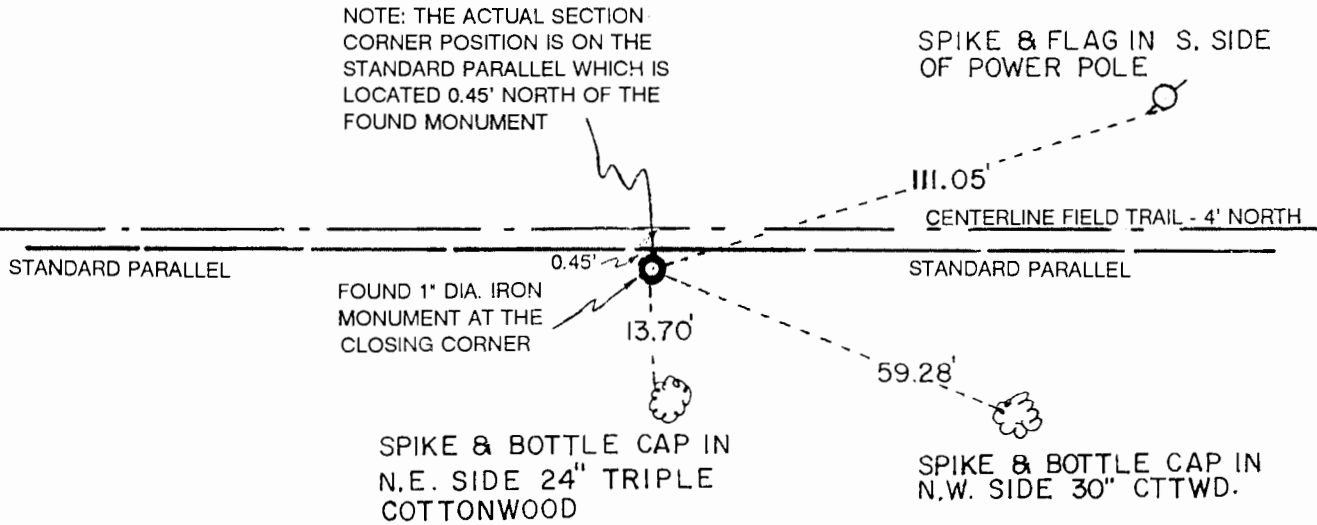
STATE OF MINNESOTA, County of Murray.

Statement: April 24 1989 - Found a 1 inch x 16 inch Iron Stake. Removed monument and placed a Mn/DOT Cast Iron Monument.

SKETCH OF REFERENCE TIES



NOTE: THE ACTUAL SECTION CORNER POSITION IS ON THE STANDARD PARALLEL WHICH IS LOCATED 0.45' NORTH OF THE FOUND MONUMENT



Statement of evidence relative to this corner location is on the back of page.

I hereby certify that this document and the data contained herein was prepared by me or under my direct supervision and that I am a duly Registered Land Surveyor under the laws of the State of Minnesota.

Duane A. Bonnema 2-24-91
 Duane A. Bonnema Date

Minnesota Registration No. 14895

OFFICE OF THE COUNTY RECORDER
 COUNTY OF MURRAY **MAR 1 1 1991**

I hereby certify that this document was filed in the County Recorder's office at ____M. on the ____ day of _____ A.D., 19__

County Recorder *James V. Johnson*
 By _____, Deputy

DOCUMENT NO. _____

Northeast Cor. Sec. 4 T108N-R41W

Statement:

- September 1858 *Original Government Land Office Surveyor L. G. M. Fletcher records in his field notes, "built mound with trench pits, charred stake, per instructions."*
- Oct. 22, 1899 *J. W. Woolstencroft, County Surveyor, records in the County Surveyor's Record Book, page 90, "Iron Stake 1" - 16". Oak Stake 2" x 2" x 16" while doing survey work in Section 3.*
- April 24, 1989 *Duane A. Bonnema, LS Reg. No. 14895, found the Iron Stake placed in 1899. The iron stake was 1 inch diameter by 16 inches long. Dug 1 1/2 feet west, 2 feet south, 1 foot north, 4 feet east x 2 feet deep and didn't find any other monuments.*